



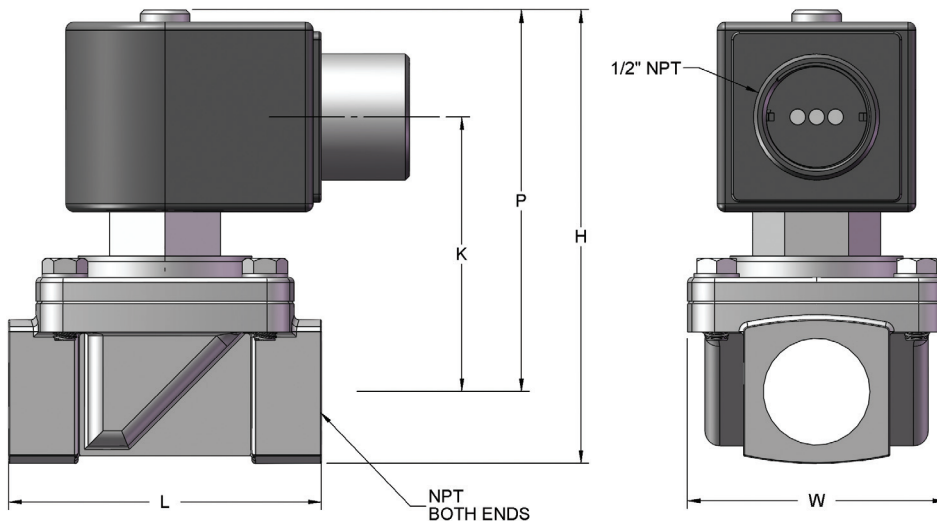
S SERIES, SOLENOID VALVES									
Water Service					Steam Service				
MODEL NUMBER	NPT SIZE	ORIFICE SIZE	CV FACTOR	SHIP WGT. Lbs./(kg)	MODEL NUMBER	NPT SIZE	ORIFICE SIZE	CV FACTOR	SHIP WGT. Lbs./(kg)
S-5-W	1/2"	5/8"	4	3 (1.5)	S-5-S	1/2"	5/8"	4.7	3 (1.5)
S-3-W	3/4"	3/4"	5	4 (2)	S-3-S	3/4"	3/4"	8.8	4 (2)
S-1-W	1"	1"	13	6 (3)	S-1-S	1"	1"	11.5	6 (3)
S-1-1/4-W	1 1/4"	1-1/8"	15	8 (4)	S-1-1/4-S	1 1/4"	1-1/8"	15	8 (4)
S-1-1/2-W	1 1/2"	1-1/4"	22.5	10 (4.5)	S-1-1/2-S	1 1/2"	1-1/4"	22.5	10 (4.5)
S-2-W	2"	1-3/4"	43	12 (5.5)	S-2-S	2"	1-3/4"	43	12 (5.5)

## Product Features and Benefits:

- ◆ **IMPROVES PROCESS CONTROL:** Provides on/off control of water, steam, air, or gases in a variety of heating, cooling or fluid replenishing applications.
- ◆ **RUGGED CONSTRUCTION:** Brass valve body with:
  - Buna-N seals (water service)
  - Ethylene Propylene seals (steam service)
- ◆ **MOISTURE RESISTANT TERMINAL ENCLOSURE:** Epoxy encapsulated enclosure rated for NEMA 1, 2, 3, 3S, 4 and 4X applications.
- ◆ **CERTIFICATIONS:** UL and CSA (steam valves), CSA (water valves).
- ◆ **CAPACITIES:**
  - Sizes: 1/2-inch through 2-inch FNPT.
  - Two-way, normally closed valve available in 120 or 240 volts.
  - Ambient temperature range: 32°F (0°C) to 125°F (52°C).
  - Voltages: other AC and DC voltages available in 50 or 60 Hz.
- Minimum pressure differential: 5 PSI.
- Minimum operating pressure: 10 PSI.
- Single phase only.
- Maximum pressure:
  - Water service: 125 PSI at 180°F (82°C).
  - Steam service: 50 PSI at 300°F (149°C).
- ◆ **OPTIONS AVAILABLE** (consult factory):
  - Stainless steel valve bodies.
  - Normally open valves.
  - Higher pressure ratings.
  - Explosion resistant enclosures.
  - Three-way valves.
  - Slow opening valves.
  - Fluoropolymer seals.
  - Low-pressure drop valves for operating pressures below 10 PSI.

**NOTE:** Always use a strainer with solenoid valves.

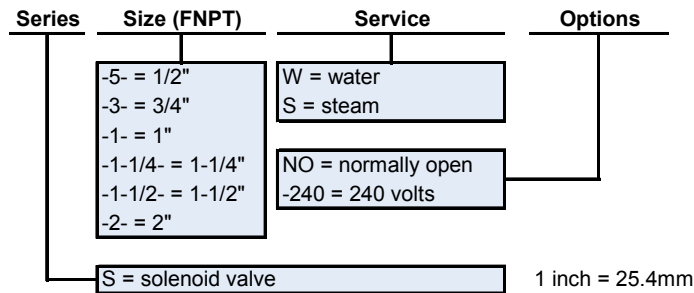
## DIMENSIONS\*



Water Service					
Model	H	K	L	P	W
S-5-W	3.38"	1.94"	2.75"	2.8"	2.28"
S-3-W	3.66"	2.1"	2.81"	2.96"	2.28"
S-1-W	5.64"	3.15"	3.75"	4.01"	3.36"
S-1-1/4-W	5.64"	3.15"	3.66"	4.01"	3.56"
S-1-1/2-W	6.11"	3.3"	4.38"	4.16"	3.92"
S-2-W	7.33"	3.71"	5.06"	4.57"	4.87"

Steam Service					
Model	H	K	L	P	W
S-5-S	4.05"	2.52"	2.75"	3.48"	2.28"
S-3-S	4.34"	2.68"	2.81"	3.65"	2.28"
S-1-S	5.81"	3.22"	3.75"	4.19"	3.14"
S-1-1/4-S	5.81"	3.22"	3.66"	4.19"	3.56"
S-1-1/2-S	6.29"	3.37"	4.38"	4.34"	4.1"
S-2-S	7.51"	3.78"	5.06"	4.75"	4.71"

## SOLENOID VALVE ORDERING INFORMATION



### ORDERING EXAMPLE:

S-1-S

Solenoid valve, 1" NPT, steam service.

CONTACT FACTORY FOR SIZING ASSISTANCE

